



INSOMNIAC®
723

INSTALLATION GUIDE

Installation specifications and considerations for your new INSOMNIAC kiosk. Never miss another rental.

CONTACT US

Each INSOMNIAC® full-service kiosk is a self-contained system designed for easy installation. An OpenTech technician will work with you to setup and customize the more complex configuration options within the kiosk software. If you have questions throughout the installation process, please reach out to our dedicated support team.



CONTACT INFORMATION

Technical Support (602) 773-1700
support@opentechalliance.com
Fax (602) 324-8658
Office (602) 749-9370



HOURS OF OPERATION

Business Office M-F; 8:00AM to 5:00PM MST
Technical Support M-F; 5:00AM to 5:00PM MST
Sat; 7:00AM to 5:00PM MST

INSOMNIAC® is a registered trademark of OpenTech Alliance, Inc. All configuration and/or installation references are appropriate practices within the U.S. Configuration and installation procedures vary by country and may result in the presence of components that differ in form and/or function from those shown in this document. Unless otherwise noted, all images, illustrations, content and all materials shown in this document are copyrights, trademarks and or intellectual properties, owned, controlled or licensed by OpenTech Alliance, Inc. This document may not be copied in whole or in part without the written consent of OpenTech Alliance, Inc. Copyright © 2022, OpenTech Alliance, Inc. all rights reserved.



TABLE OF CONTENTS

Preface.....	4	Plenum Ceiling Consideration.....	10
General Installation.....	4	Fire Protection.....	10
ADA Compliance.....	4	Heat Gain/Loss.....	10
Power Requirements.....	5	Protection from Weather.....	10
Data Cable Requirements.....	6	723 Specifications.....	11
VeloCloud Setup	6	Product & Install Drawings.....	12
Wattbox Connection.....	8	Table of Figures.....	18
DVR Camera Connection.....	10		

Looking for a local installer?

We train a network of OpenTech Authorized Dealers throughout the United States. Visit www.opentechalliance.com/dealers to find a local installer near you!

INSTALLATION

Preface

Prior to installing the INSOMNIAC 723, your contractor should review the standards and information contained throughout this document. Please contact OpenTech Alliance Customer Support (via telephone at: 602-749-9370, Option 2, or email at: support@opentechalliance.com) for any upgrades or additional details or questions.

General Installation

- Check with OpenTech Alliance prior to installation for any updates to this guide.
- Check all applicable ADA and local codes for accessibility compliance prior to installation.
- The kiosk should be located in a protected indoor location with power and internet access.
- If the property utilizes video recording or surveillance, a camera should be in place to view the kiosk.
- Ideal installation of the kiosk will insure that it is placed just adjacent to the main office entry.

ADA Compliance

Accessibility Considerations

The primary issue addressed by The Americans with Disabilities Act (and corresponding local accessibility code requirements), as applied to the kiosk, is provision for proper access to and from the INSOMNIAC 723 kiosk. This includes insuring the presence of an accessible route from public areas (including streets, sidewalks and parking lots).

Installation Specifications

It is suggested that the unit be installed at such a height so as to insure that the microphone is approximately 48" AFF (above finished floor); this will place the kiosk at a height that is accessible to an individual in a wheelchair (for both forward and side approaches). In order to further accommodate wheelchair accessibility, the lock dispenser should be installed so that access to the lock dispenser is approximately 28-1/2" AFF; this complies with guidelines set forth by the ADA.



Concrete Pad Requirements

The INSOMNIAC 723 must be mounted on a concrete pad. Four (4) bolts will need to be anchored into the pad with which the pedestal base is to be attached. Holes in the pedestal base allow for 3/8" bolts to be used (please follow the bolt manufacturer's recommendations when anchoring bolts in concrete). Please see Figure 1: Model 723 Pedestal Base Layout (page 10) for pedestal base layout, and Figure 2: Model 723 Concrete Pad Specifications (page 11) for concrete pad specifications.

Power Requirements

Wired Power Specifications

The INSOMNIAC kiosk requires 110-120 VAC, 10 Amp, single-phase, three-wire unswitched power receptacle. Wiring to the receptacle must include a third-wire earth-ground (conduit ground is not acceptable).

Extend a minimum of 3/4" metal conduit from service panel to a 4" junction box located no further than 6' from the unit. Boxes can be flush mounted with concealed conduit for new construction, or boxes can be surface mounted with exposed conduit for existing construction.

Although removing power from the kiosk suddenly is not recommended, the system is designed to be resilient against data corruption if power is removed.

Backup Power Supply

An uninterruptible power supply (UPS), also known as an uninterruptible power source, or a battery backup, is a device which maintains a continuous supply of electric power to connected equipment by supplying power from a separate source when utility power is not available. In areas of the country that experience frequent power disruptions ("Tornado Alley," hurricane season, etc.), it is recommended that a UPS be employed in order to minimize the effects of power outages, especially to guard against constant rebooting of the system during periods that the power might be unstable and flickering.

When a power failure occurs, the UPS effectively switches from utility power to its own power source almost instantaneously. The UPS, which is continuously connected to the protected load, draws energy from its reserves, usually stored in lead-acid batteries, converting it to AC power.

In addition to providing protection against complete failure of the utility supply, a UPS also provides protection against all common power problems, and for this reason it is also known as a power or line "conditioner."

Please consult with your electrical contractor for a unit appropriate to your facility.

Data Cable Requirements

Always-On Internet Connectivity

The INSOMNIAC 723 must be connected to the Internet; i.e. an “always-on” Internet connection (such as cable or DSL). The firewall should allow incoming traffic on TCP ports 5721, 80, and 443.

CAT5 Connections

- Kiosk
- WattBox
- Connect to NVR
- Open/Failover Port

A contractor should run 3 CAT 5 data cables, in grounded conduit, from the location of the computer (or network hub) that runs the management software, to a junction outlet box mounted a few feet from the kiosk. The kiosk comes with a CAT 5 cable that extends 5' from a hole in the back, right-bottom corner of the kiosk (when facing the kiosk from the front). The third CAT5 cable would be needed to serve as a connection to the facility NVR (outlined in page 8). A 4th outlet in the junction box is recommended as a backup or failover port.

On-Demand/“Dial-Up” Internet Connectivity

The INSOMNIAC 723 does not support an on-demand Internet connection (such as dial-up). However, it can be configured to support connection to a cellular network.

VeloCloud Edge 610 VMWare Model

Once the gate controller is configured with correct IP information and ready to go live, the network cable from the gate controller should be plugged into the back of the VMWare Edge 610, into any of the ports labelled GE3 through GE6 (highlighted green, on next page).





Important Information:

1. Do not unplug any existing connections from the VeloCloud/VMWare.
2. Do not plug the gate controller into any other network device, with the exception of the following devices used for port expansion:
 - a. Netgear ProSafe 8-port switch (blue)
 - b. Cisco Linksys 8-port switch (black)
3. Never plug the gate controller into GE1 or GE2

VeloCloud Edge 520 Model

Once the gate controller is configured with correct IP information and ready to go live, the network cable from the gate controller should be plugged into the back of the VeloCloud Edge 510, into any of the ports labelled LAN 1 through LAN 8 (highlighted green, below).



Important Information:

1. Do not unplug any existing connections from the VeloCloud/VMWare.
2. Do not plug the gate controller into any other network device, with the exception of the following devices used for port expansion:
 - a. Netgear ProSafe 8-port switch (blue)
 - b. Cisco Linksys 8-port switch (black).
3. Never plug the gate controller into GE1 or GE2.

WattBox Connection Instructions

The WattBox is installed with a specialized bracket inside the housing of the kiosk. It should be oriented with the ethernet port and main power facing up as shown in the image below.



*Note: The Kiosk Main Power will be connected to Controller 2 on the bottom of the device, and should not be moved. The Edison plug on top of the device is the main power supply for the WattBox device.

1. Connect the Blue ethernet cable to the exposed ethernet port on the WattBox as shown on the previous page.
2. Connect the other end of the Blue ethernet cable to the available ethernet port on the 3-port drops provided by Public Storage as shown in the image below. The cable for the WattBox will be labeled “WB” on the tag. The drop is located above the power strip towards the bottom of the machine.



3. Verify the port is connected to an available port on the facilities Velo Cloud router.
4. Contact Public Storage IT or Helpdesk to verify the WattBox is visible on the network.

DVR Camera Connection

The INSOMNIAC 723 comes pre-installed with a DVR (Digital Video Recorder) capable camera. If desired, an RG59 BNC cable may be run to the CAT5E junction box. The cable should be terminated with a female BNC connector or have a coupler available.

Plenum Ceiling Consideration

Special considerations must be made if the kiosk will utilize wiring installed through a plenum ceiling. If the area between the ceiling and the roof in a building is used for air return in a ventilation system, fire and building codes normally require that special wire or conduit be used if wire is run through this area.

Fire Protection Consideration

Installation of this kiosk in an existing facility with a new wall enclosure, may impact the sprinkler head cover in this area, and require modification or addition of additional heads.

Heat Gain/Loss Consideration

Installation of this kiosk in small areas with a lack of air circulation should take into consideration the heat gain (build up of heat from operation of the equipment) and design the space accordingly. The operations temperature range is 5 °C to 55 °C.

Protection from Weather

Although the INSOMNIAC kiosk is designed for outdoor use, it should be protected from full weather exposure. A canopy, awning or other covering should be installed above the kiosk to prevent direct rain and/or snow contact.



SPECIFICATIONS

INSOMNIAC 723 Specifications

Weights and Measurements

Shipping Weight	Unit Weight	Kiosk Dimensions	Rear Clearance
+/- 180 lbs	+/- 120 lbs	Height: 62 13/16" Width: 20 1/4" Depth: 14 25/32"	INSOMNIAC 723 opens to the front, therefore, no rear access clearance is required and the kiosk may be installed flush to a wall.
Actual shipping and unit weight depends upon shipping materials, options and configuration.			



DRAWINGS

Product & Installation Drawings

Model 723 Pedestal Base Layout

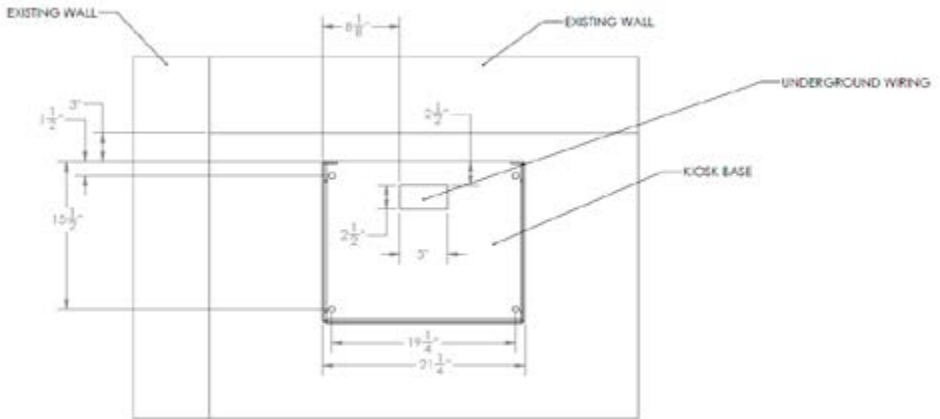


Figure 1: Model 723 Pedestal Base Layout View

Model 723 Concrete Pad Specifications

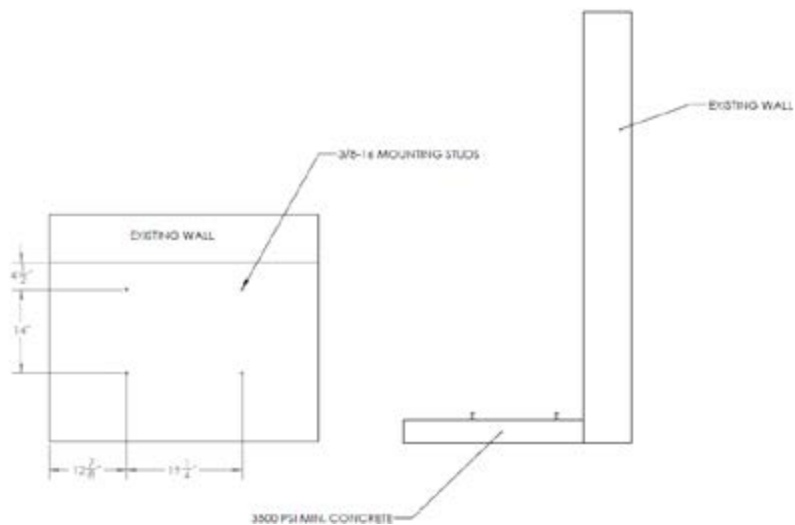


Figure 2: Model 723 Concrete Pad Specifications

Model 723 Corner Mount Placement Considerations

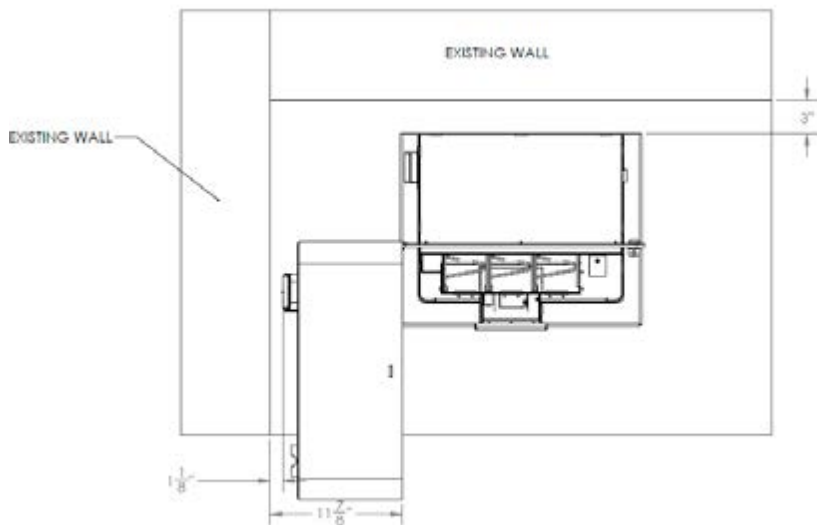


Figure 3: Model 723 Corner Mount Placement Considerations

Model 723 Front View

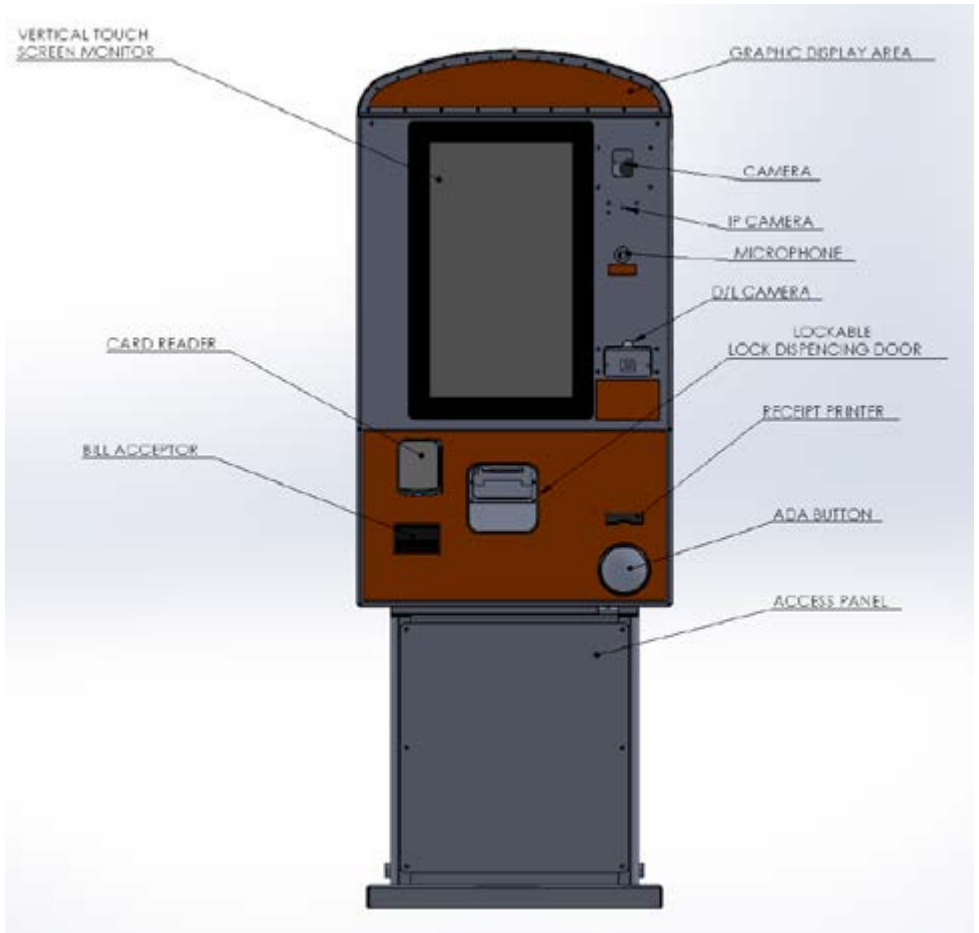


Figure 4: Model 723 Front View

Model 723 ISO View

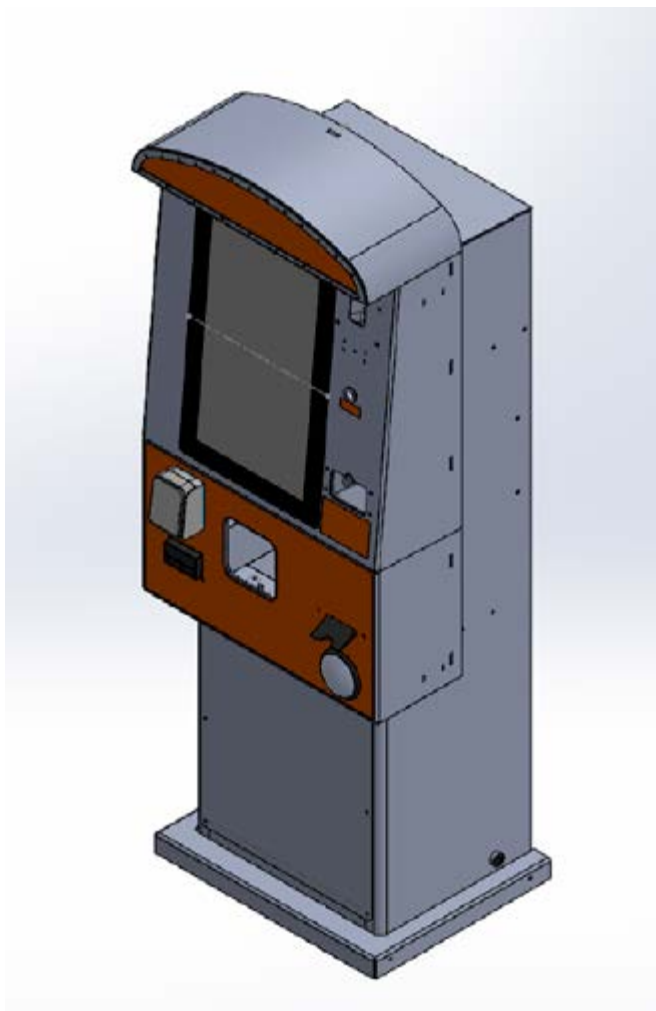


Figure 5: Model 723 ISO View

Model 723 Right Side View

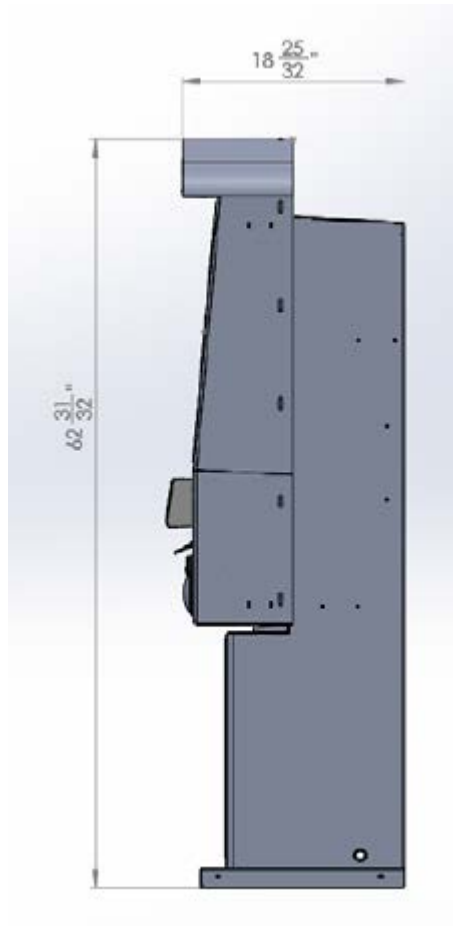


Figure 6: Model 723 Right Side View



Model 723 Front ADA View

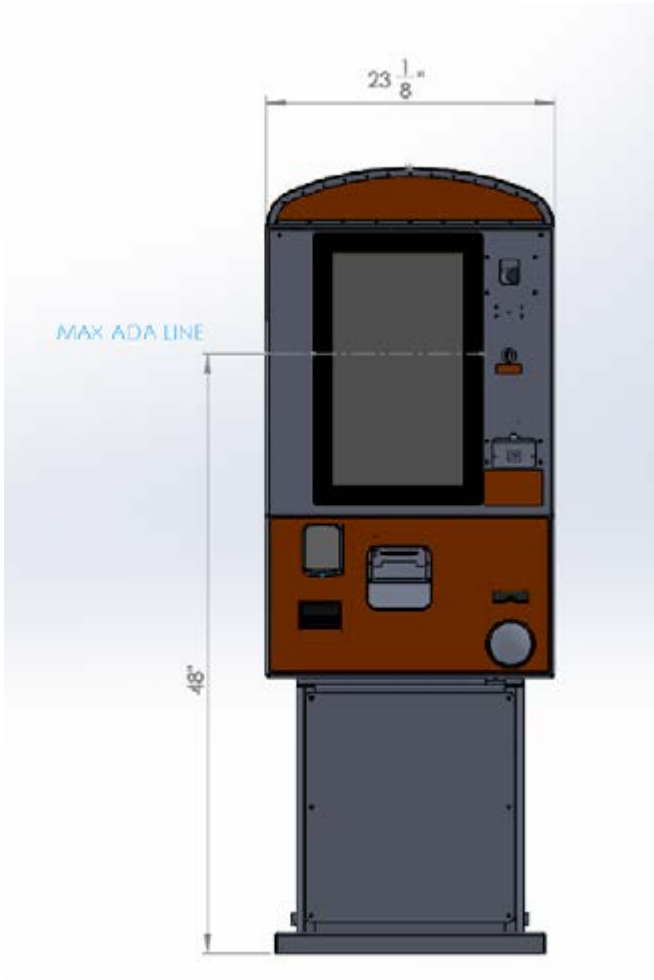


Figure 7: Model 723 Front ADA View

TABLE OF FIGURES

Figure 1: Model 723 Pedestal Base Layout.....12

Figure 2: Model 723 Concrete Pad Specifications.....13

Figure 3: Model 723 Corner Mount Placement Considerations.....13

Figure 4: Model 723 Front View.....14

Figure 5: Model 723 ISO View.....15

Figure 6: Model 723 Right Side View.....16

Figure 7: Model 723 Front ADA View.....17



The background of the page is a photograph of a storage facility aisle with blue roll-up doors. The image is framed by dark blue and light blue geometric shapes at the top and bottom. The OpenTech Alliance logo, a stylized white 'O' and 'T', is positioned to the left of the text. The text 'OpenTech Alliance' is in a white, sans-serif font, with 'OpenTech' on the top line and 'Alliance' on the bottom line. A small 'TM' trademark symbol is located to the right of the word 'Alliance'.

OpenTech Alliance™

- www.OpenTechAlliance.com
- 602.749.9370
- support@opentechalliance.com