

1.5

INSOMNIAC™ 100 Contractor's Guide



Contact Us



2501 West Dunlap Avenue
Suite 255
Phoenix, Arizona 85021

Phone, Fax & Email

Technical Support	(602) 773-1700 support@opentechalliance.com
Fax	(602) 324-8658
Office	(602) 749-9370

Hours of Operation

Business Office	Monday thru Friday – 8:00am to 5:00pm MST
Technical Support	Monday thru Friday – 7:00am to 5:00pm MST Saturday - 7:00am to 2:00pm MST

INSOMNIAC™ is a registered trademark of OpenTech Alliance, Inc. "Windows" and "Internet Explorer" are registered trademarks of the Microsoft Corporation. SiteLink, SiteLink-Web, STORE, TaskMaster, Storage Manager, Domico 2000, Storage Commander, Winsen, U-Haul, StorMan, Symbio and Total Recall are registered trademarks of their respected companies, granted use with permission.

All configuration and/or installation references are appropriate practices within the U.S. Configuration and installation procedures vary by country and may result in the presence of components that differ in form and/or function from those shown in this document. Unless otherwise noted, all images, illustrations, content and all materials shown in this document are copyrights, trademarks and or intellectual properties, owned, controlled or licensed by OpenTech Alliance, Inc. This document may not be copied in whole or in part without the written consent of OpenTech Alliance, Inc. Copyright © 2012, OpenTech Alliance, Inc. all rights reserved.

This page intentionally left blank

Table of Contents

Preface.....	5	Plenum Ceiling Consideration.....	7
Hanging Installation	5	Fire Protection Consideration	7
Protection from Weather	5	Heat Gain/Loss Consideration	7
ADA Compliance.....	5	INSOMNIAC 100 Specifications	8
Power Requirements	6	Weights and Measurements	8
Wired Power Specifications.....	6	Product & Installation Drawings	9
Backup Power Supply	6	Wall Mounting Template.....	9
Data Cable Requirements.....	7	Pedestal Mounting.....	14

Installation

Preface

Prior to installing the INSOMNIAC 100, your contractor should review the standards and information contained throughout this document. Please contact OpenTech Alliance Customer Support (via telephone at: 602-749-9370, Option 2, or email at: support@opentechalliance.com) for any upgrades or additional details or questions.

Hanging Installation

- Check with OpenTech Alliance prior to installation for any updates to this installation guide.
- Check all applicable ADA and local codes for accessibility compliance prior to installation.
- The kiosk should be visible once a tenant enters the property from the street.
- The kiosk area should be well lit (to make the user feels safe and comfortable).
- The kiosk should be located on the exterior of the building and visible from the parking area.
- If the property utilizes video recording or surveillance, a camera should be in place to view the kiosk.
- The kiosk should offer the user protection from the elements during use; for example, shade from the hot sun and direct sunlight, and protection from rain and wind, etc.).
- Ideal installation of the kiosk will insure that it is placed just adjacent to the main office entry.
- The kiosk should be located as close to the entry keypad as possible.

Protection from Weather

Although the INSOMNIAC kiosk is designed for outdoor use, it should be protected from full weather exposure. A canopy, awning or other covering should be above the kiosk to prevent direct rain and/or snow contact.

ADA Compliance

The primary issue addressed by The Americans with Disabilities Act (and corresponding local accessibility code requirements), as applied to the kiosk, is provision for proper access to and from the INSOMNIAC 100 kiosk. This includes insuring the presence of an accessible route from public areas (including streets, sidewalks and parking lots).

Power Requirements

Wired Power Specifications

The INSOMNIAC kiosk requires 110-120 VAC, 20 Amp, single-phase, three-wire un-switched power receptacles. Wiring to the receptacle must include a third-wire earth-ground (conduit ground is not acceptable.) A contractor should run power to a junction outlet box mounted on the INSOMNIAC 100 mounting bracket.

Backup Power Supply

An uninterruptible power supply (UPS), also known as an uninterruptible power source, or a battery backup, is a device which maintains a continuous supply of electric power to connected equipment by supplying power from a separate source when utility power is not available. In areas of the country that experience frequent power disruptions ("Tornado Alley," hurricane season, etc.), it is recommended that a UPS be employed in order to minimize the effects of power outages.

When a power failure occurs, the UPS effectively switches from utility power to its own power source almost instantaneously. The UPS, which is continuously connected to the protected load, draws energy from its reserves, usually stored in lead-acid batteries, converting it to AC power.

In addition to providing protection against complete failure of the utility supply, a UPS also provides protection against all common power problems, and for this reason it is also known as a power or line "conditioner."

Please consult with your electrical contractor for a unit appropriate to your facility.

Data Cable Requirements

Always-On Internet Connectivity

The INSOMNIAC 100 must be connected to the computer (or network) upon which the facility's management software runs. If the facility has an "always-on" Internet connection (such as cable or DSL), the network should be configured in order to allow OpenTech Alliance, Inc's. Technical Support Specialists access to the kiosk computer, through the Internet connection.

A contractor should run a CAT 5 data cable, in grounded conduit, from the location of the computer (or network hub) that runs the management software, to a junction outlet box mounted on the INSOMNIAC 100 mounting bracket.

Plenum Ceiling Consideration

Special considerations must be made if the kiosk will utilize wiring installed through a plenum ceiling. If the area between the ceiling and the roof in a building is used for air return in a ventilation system, fire and building codes normally require that special wire or conduit be used if wire is run through this area.

Fire Protection Consideration

Installation of this kiosk in an existing facility with a new wall enclosure, may impact the sprinkler head cover in this area, and require modification or addition of additional heads.

Heat Gain/Loss Consideration

Installation of this kiosk in small areas with a lack of air circulation should take into consideration the heat gain (build up of heat from operation of the equipment) and design the space accordingly.

Specifications

INSOMNIAC 100 Specifications

Weights and Measurements

Shipping Weight	Unit Weight	Kiosk Dimensions
+/- 20 lbs	+/- 15 lbs	Height: 17 1/4" Width: 21" Depth: 14 13/32"
Actual shipping and unit weight depends upon shipping materials, options and configuration.		

Drawings

Product & Installation Drawings

Wall Mounting Template

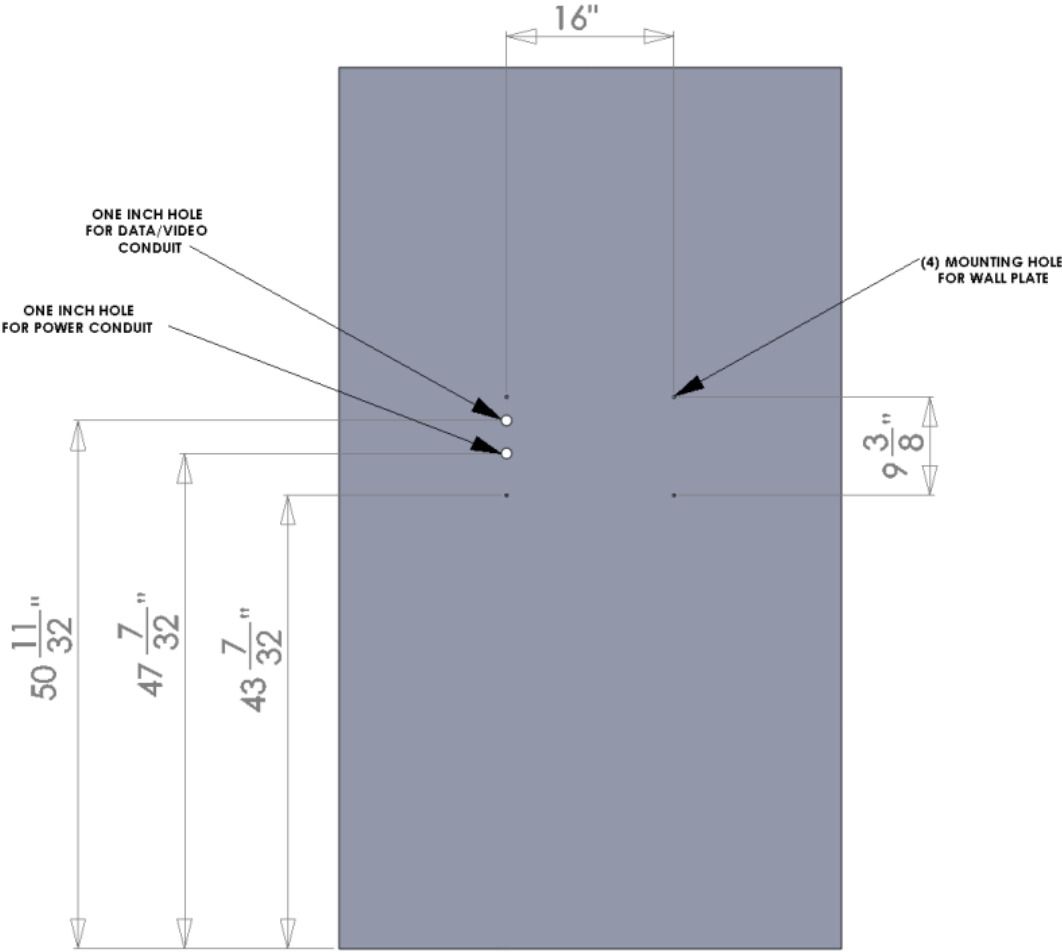


Figure 1: Wall Mounting Template

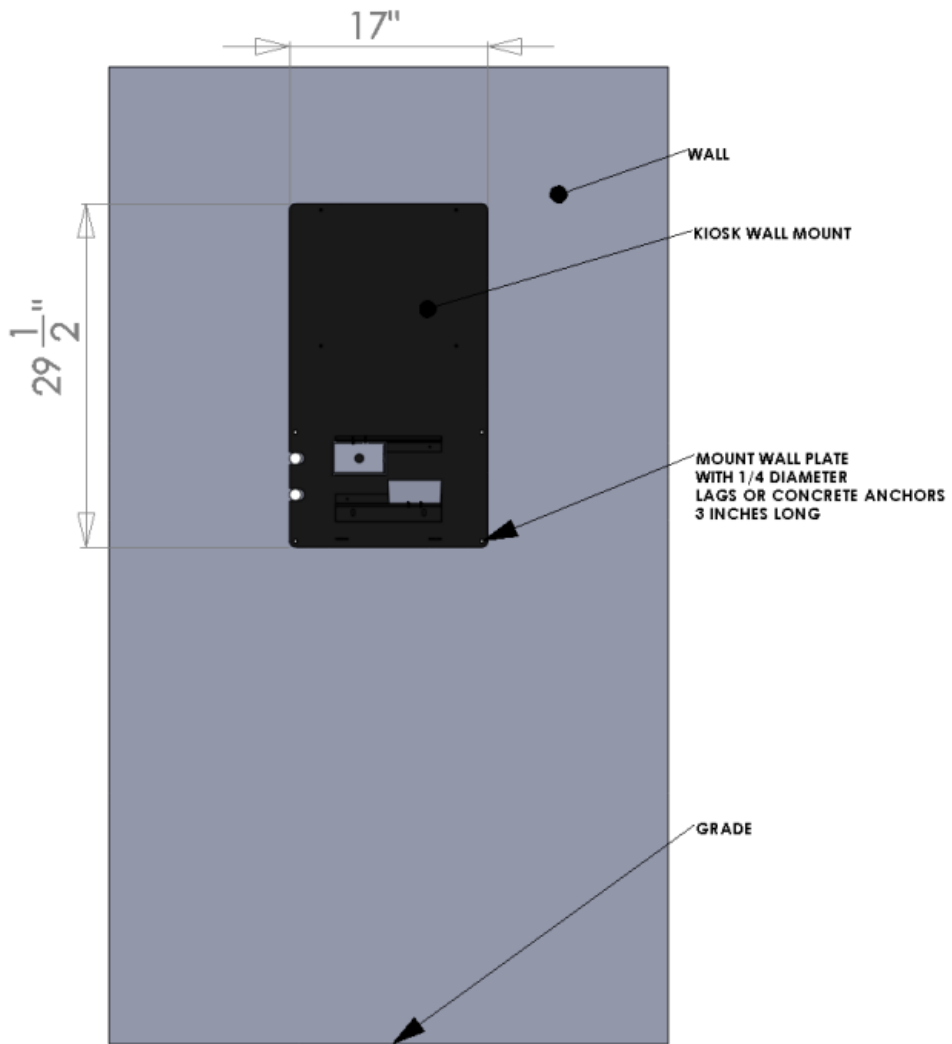
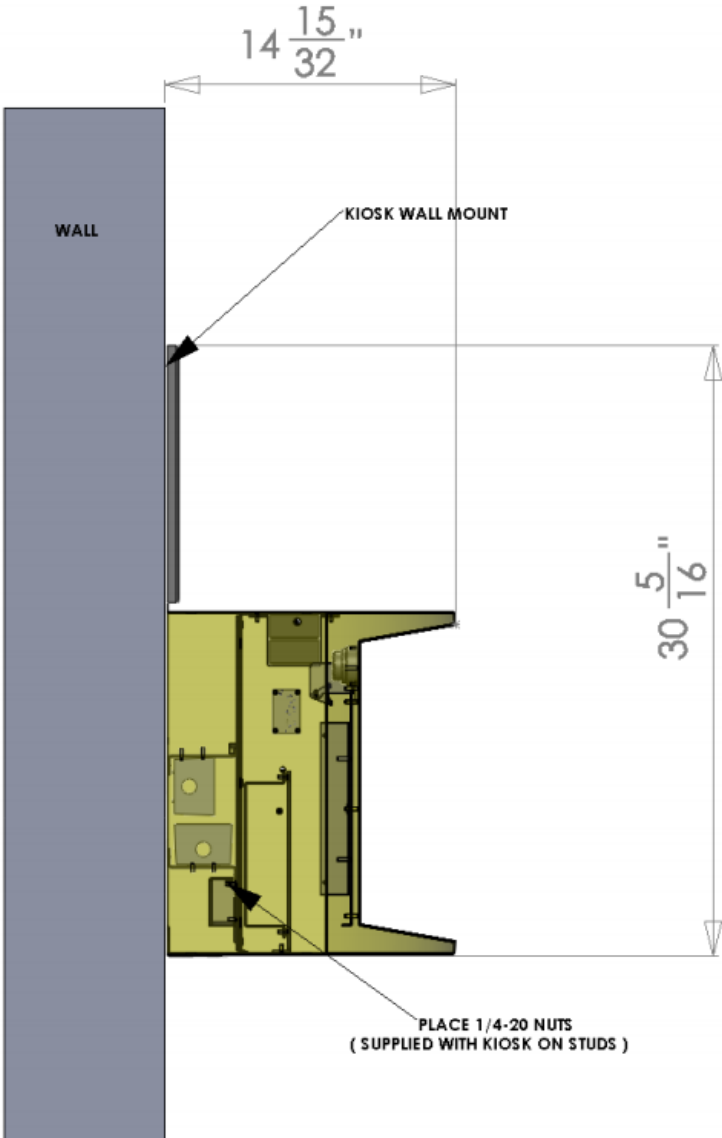


Figure 2 Mounting Bracket



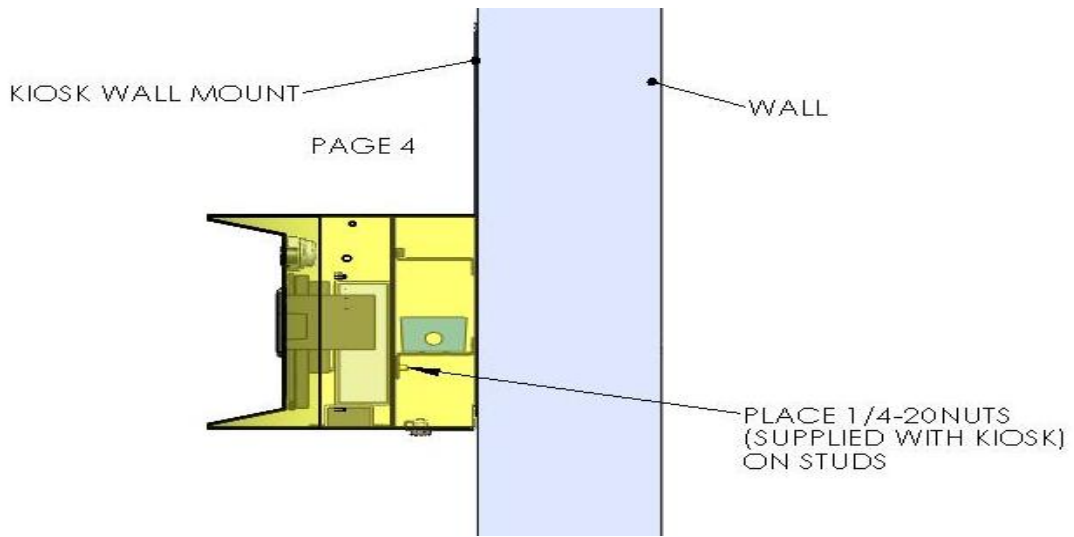


Figure 3: Kiosk on Wall Bracket

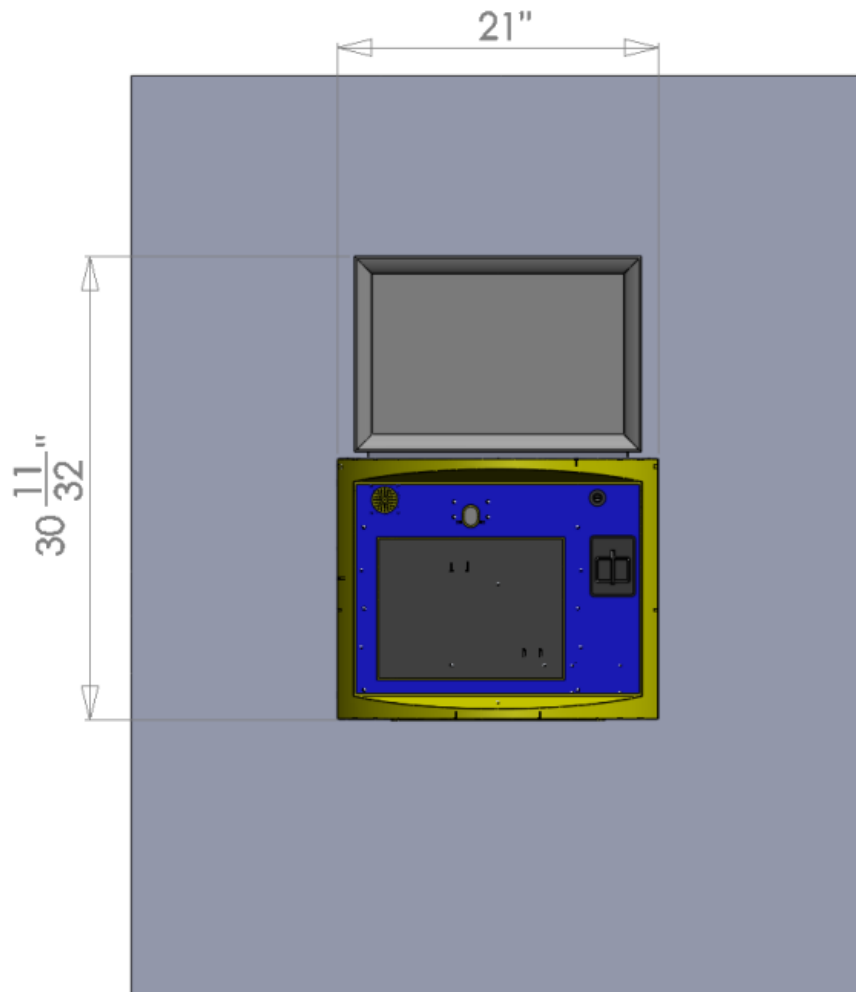


Figure 4: Kiosk Dimensions

Pedestal Mounting

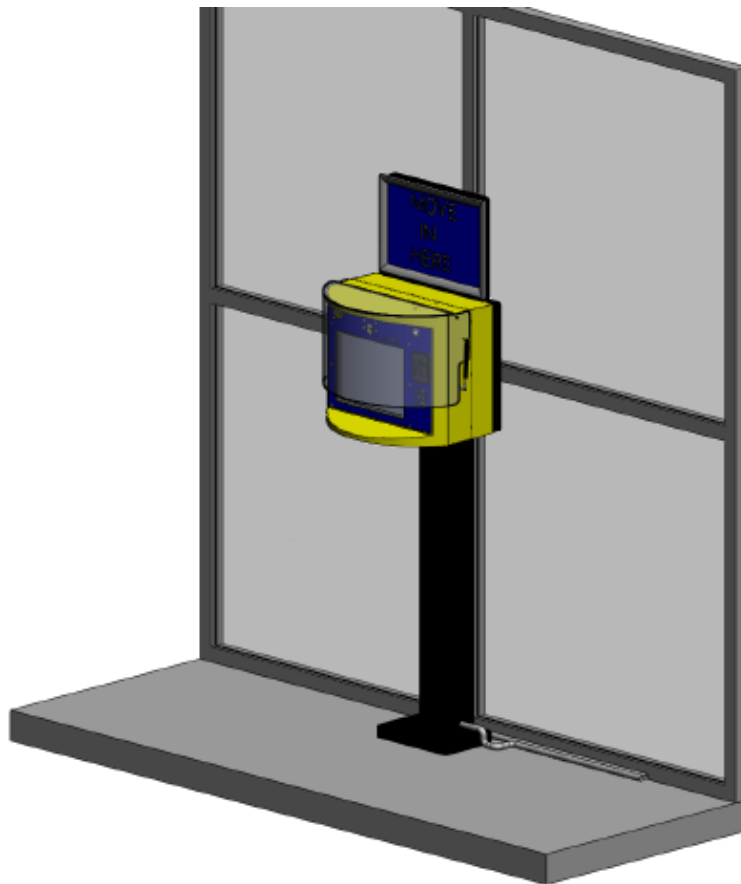


Figure 5: Pedestal Mount

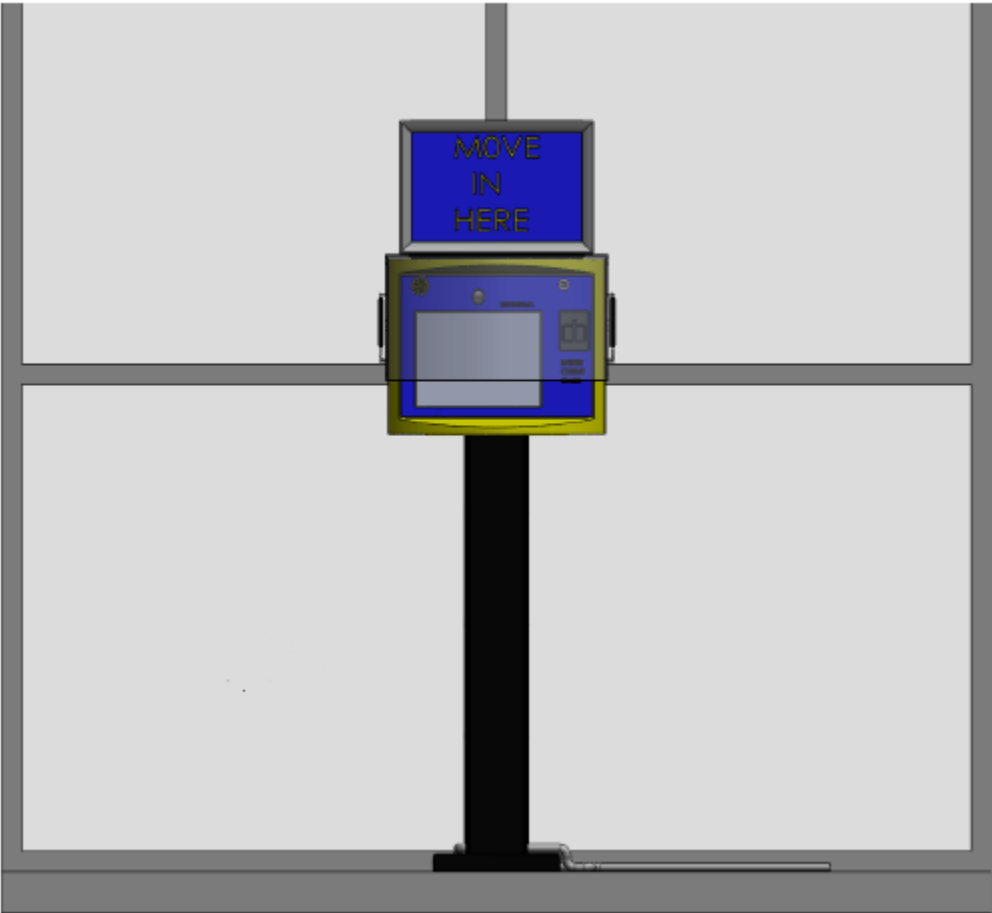


Figure 6: Pedestal Mount (Front View)

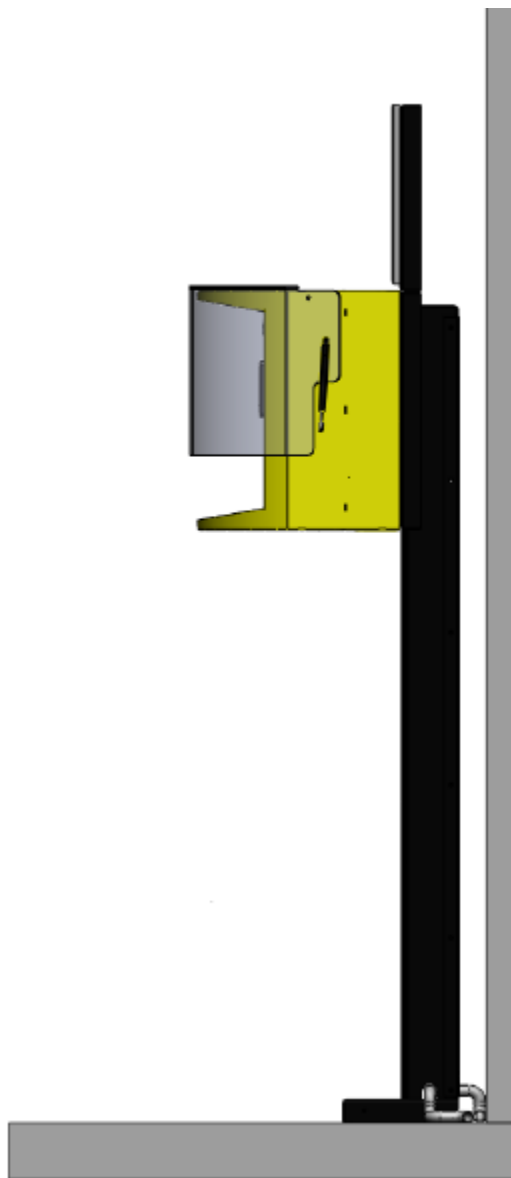


Figure 7: Pedestal Mount (Side View)

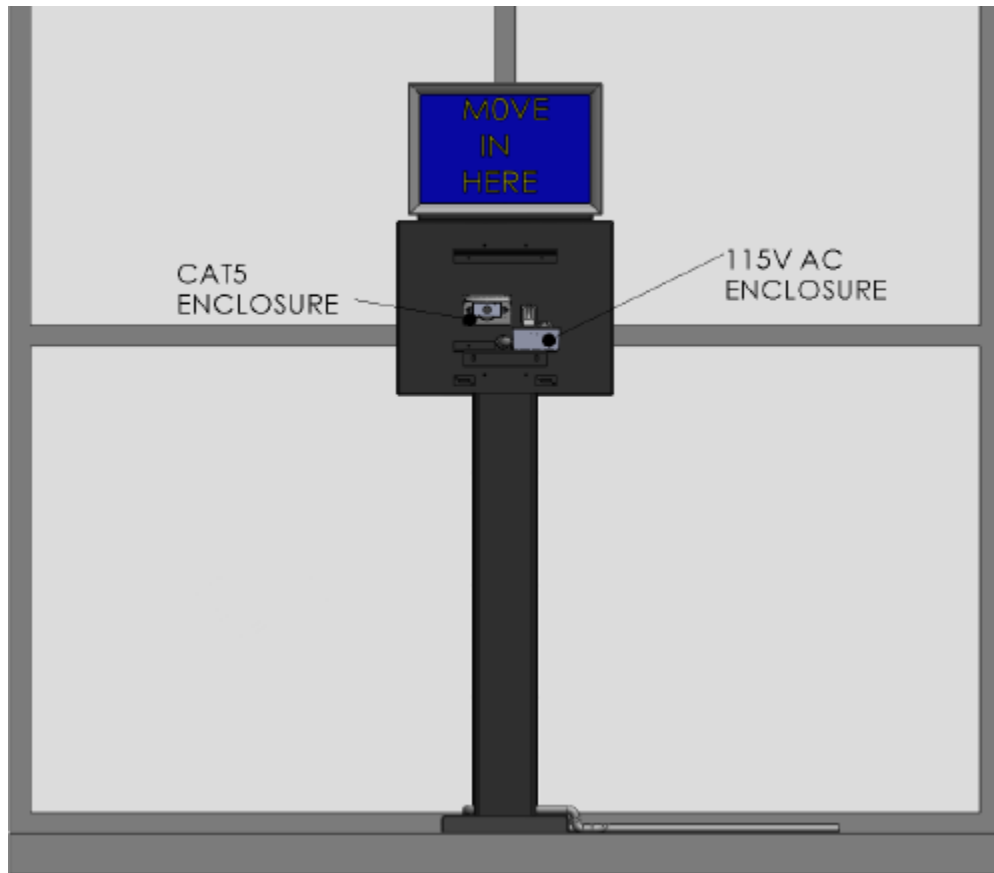


Figure 8: Pedestal Mount (Electrical Connections)

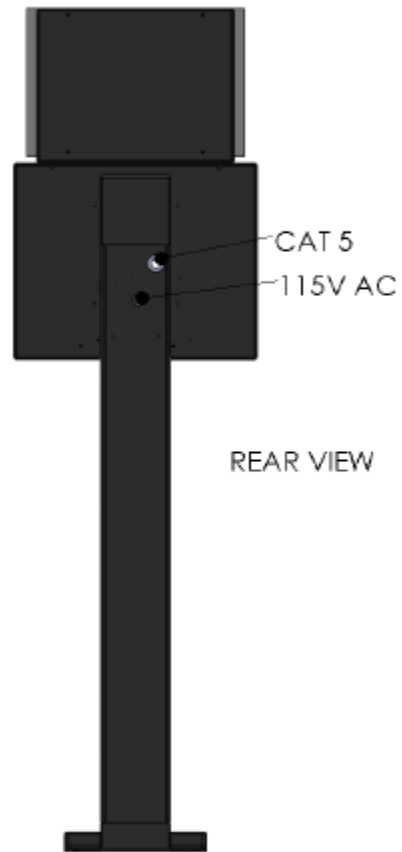


Figure 9: Pedestal Mount (Rear View Electrical)

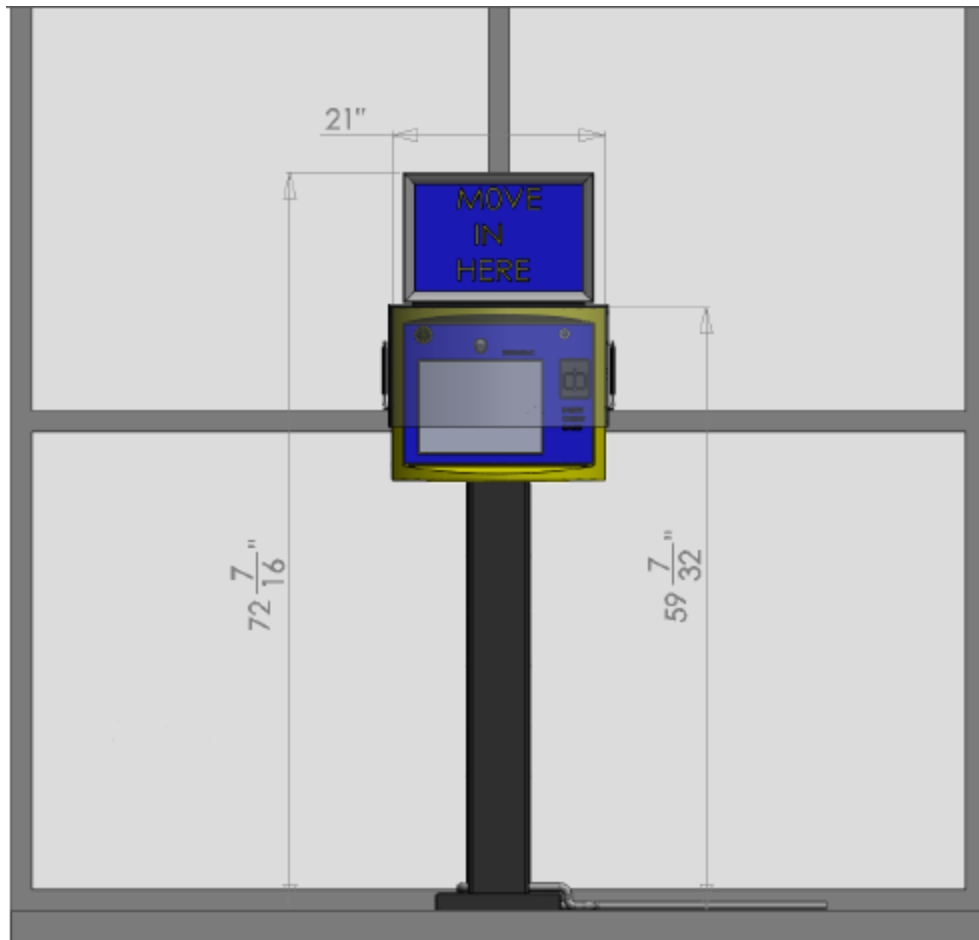


Figure 10: Pedestal Mount (Height Dimensions)

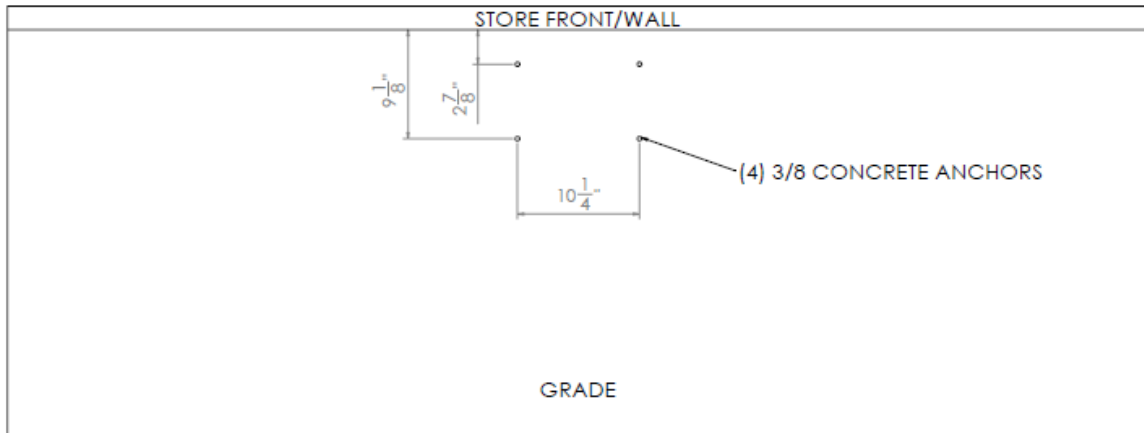


Figure 11: Pedestal Mount (Anchoring Dimensions)

Table of Figures

Figure 1: Wall Mounting Template	9
Figure 2 Mounting Bracket.....	10
Figure 3: Kiosk on Wall Bracket	12
Figure 4: Kiosk on Wall Bracket	12
Figure 5: Pedestal Mount.....	14
Figure 6: Pedestal Mount (Front View)	15
Figure 7: Pedestal Mount (Side View)	16
Figure 8: Pedestal Mount (Electrical Connections)	17
Figure 9: Pedestal Mount (Rear View Electrical)	18
Figure 10: Pedestal Mount (Height Dimensions)	19
Figure 11: Pedestal Mount (Anchoring Dimensions)	20